

CLASSIC PERGOLAS

F R O M

CHADSWORTH'S 1.800.COLUMNS®

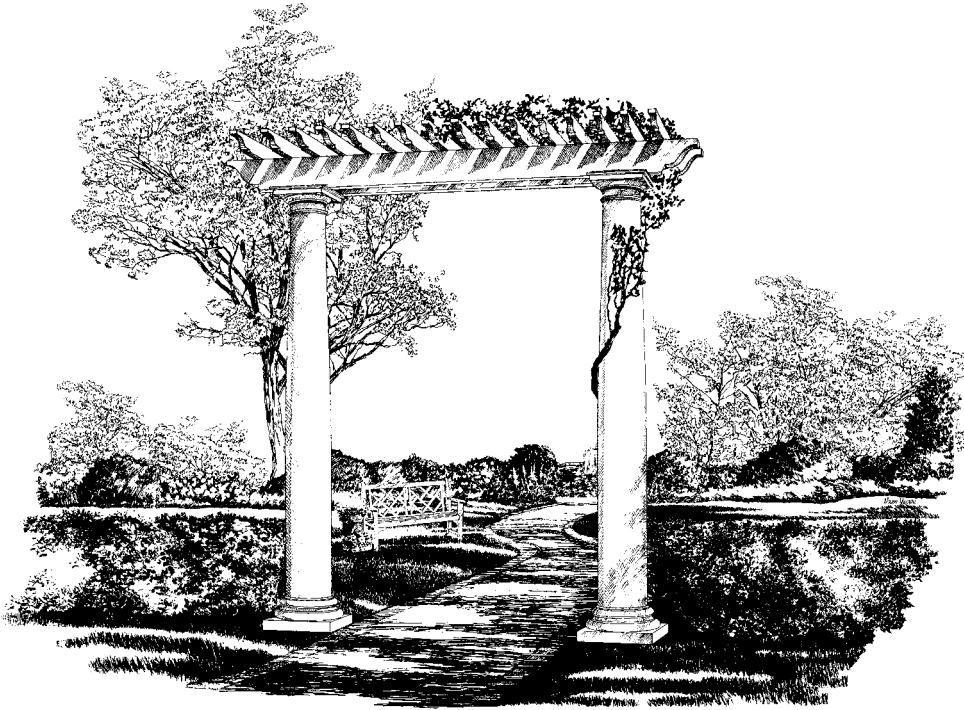
www.columns.com

Creating the Classic Pergola

Back in style once again, pergolas offer the old-fashioned pleasure of a less hectic time when you enjoyed the outdoors as a part of life. Today's homes are using pergolas as a way to expand their living space—an outdoor room with stately columns and inviting furniture. You can create the perfect outdoor living space (room) and enhance your garden area by simply adding a pergola.

CHADSWORTH'S 1.800.COLUMNS® in collaboration with William E. Poole Designs, Inc. has created the perfect pergola.

Since CHADSWORTH'S 1.800.COLUMNS® is a preferred supplier for William E. Poole Designs, Inc., it was a simple matter for Jeffrey L. Davis to ask William E. Poole to help design a pergola that would meet his high standards and to be a perfect addition to his house plans. When these two southern gentlemen put their heads together, they came up with a perfect plan. Thanks to a combination of great design and creative use of materials, your garden will become another room where you will want to spend all of your time!

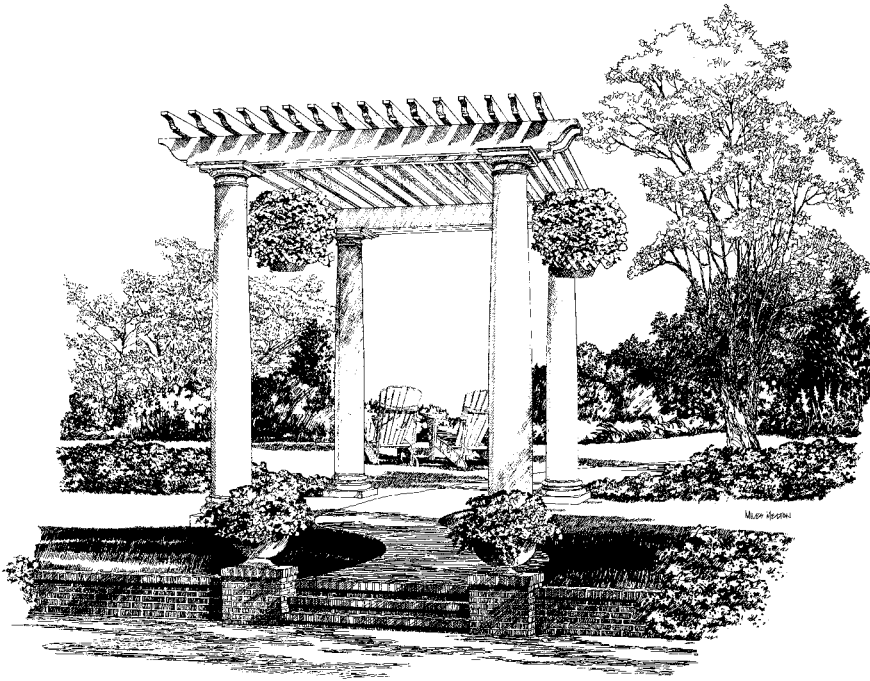


“After researching our options and joining forces with William E. Poole and his design team, we are ready to market a pergola that we think is the best you can buy,” says Jeffrey L. Davis, the Founder and Principal Designer of CHADSWORTH'S 1.800.COLUMNS®.

Two-Column Pergola

Consider the scale of the area you are working with when adding a pergola to your garden. When space is limited, Chadsworth's Two-Column Pergola creates interest at the entrance of a smaller garden.





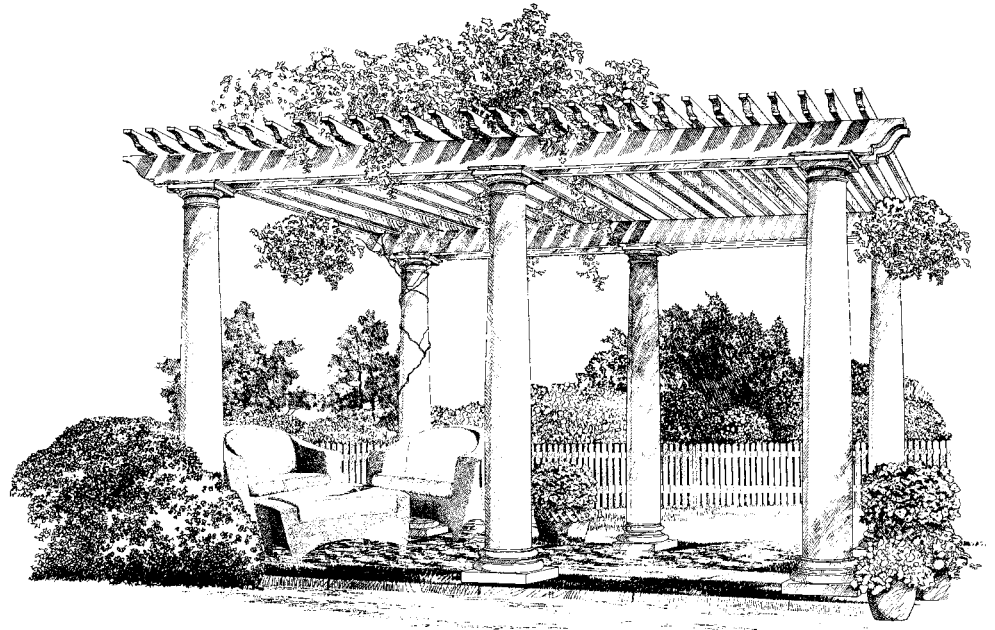
Four-Column Pergola

Our Four-Column Pergola will help define and shape the landscape, providing a fresh, yet traditional focal point.



Six-Column Pergola

Chadsworth's Six-Column Pergola becomes a "garden room" that has all the trappings of an elegant garden, but lends itself to casual entertaining; a place to curl up with a book or enjoy time with the family.

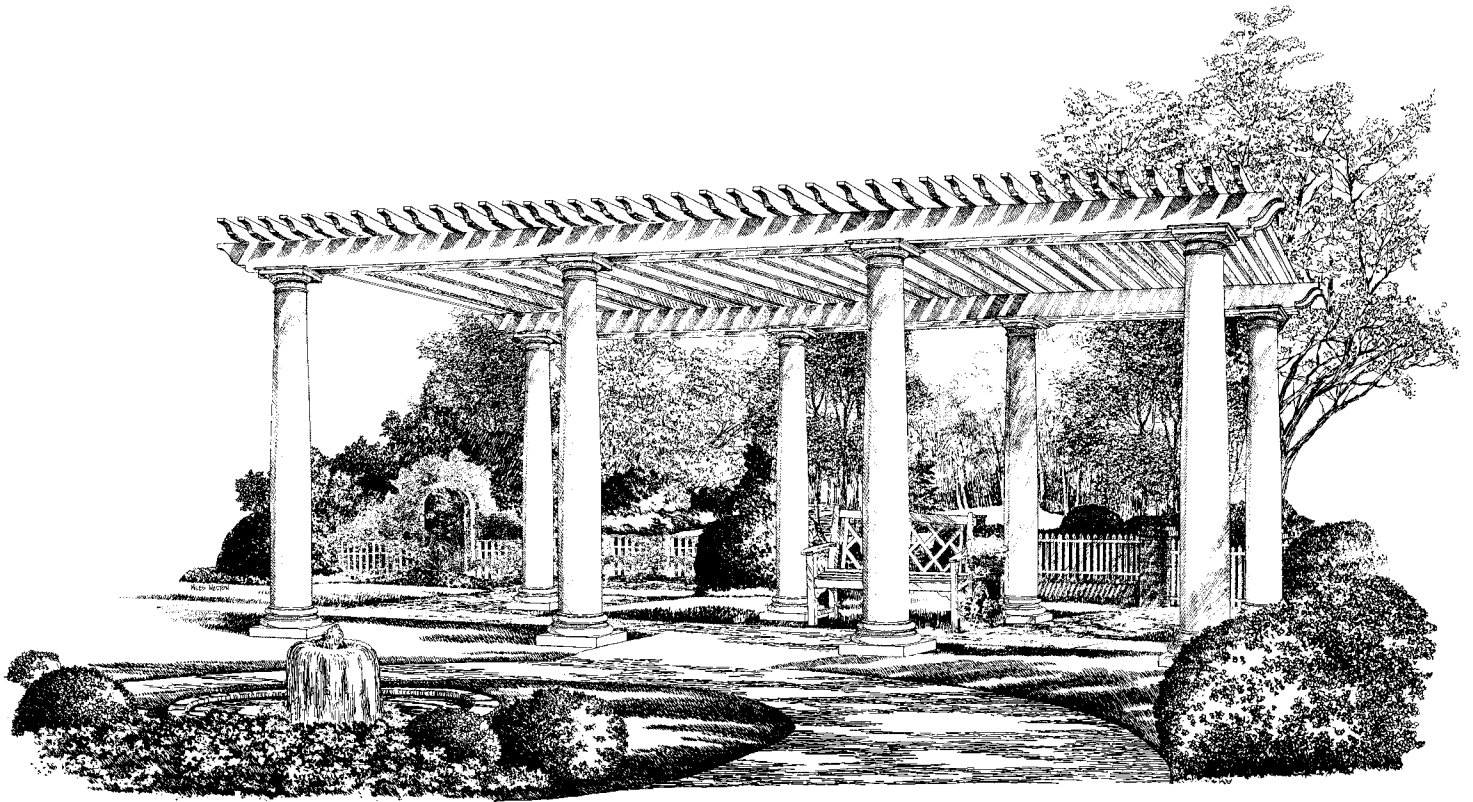


The beams and rafters atop the pergola are made of Cellular Polyvinyl Chloride while the support columns are our famous PolyStone™. Unaffected by moisture or insects, they are made to last a lifetime. Choose from a 2, 4, 6 or 8 column pergola that comes in a "kit" that includes PolyStone™ Columns with Roman Doric capitals and attic bases.

Our columns made of PolyStone™ are ready to prime and paint and are available in a variety of sizes. Chadsworth's pergolas can be wired for lighting and sound, and also can be equipped with a watering system to keep your plants

healthy. You know your pergola will be the best it can be because of Chadsworth's innate quality and design. Bring style to your garden by creating the ultimate backyard living space; a well designed outdoor room that eases the transition from indoors to out by blurring the line between the two.

A pergola admits daylight, breezes and open views. It is the perfect anchor for climbing plants like wisteria and mandevilla. The vertical columns are the starting point for roses and vines of all sorts. Hang flower-filled baskets between the columns or rafters.



*P*ergolas serve as a backdrop to the seasonal progression of flowers. As a visible architectural component of the landscape, the pergola serves as a gateway to the garden beyond. And, it is an easy way to add more living space to your home that you will use for years to come.

A well-placed pergola is more than a focal point; it is the hub of activity in your yard or garden—a place where people relax, dine or play. Furnish it with attention to details, such as candles and cushions that will make it a pleasant place to while away the hours.

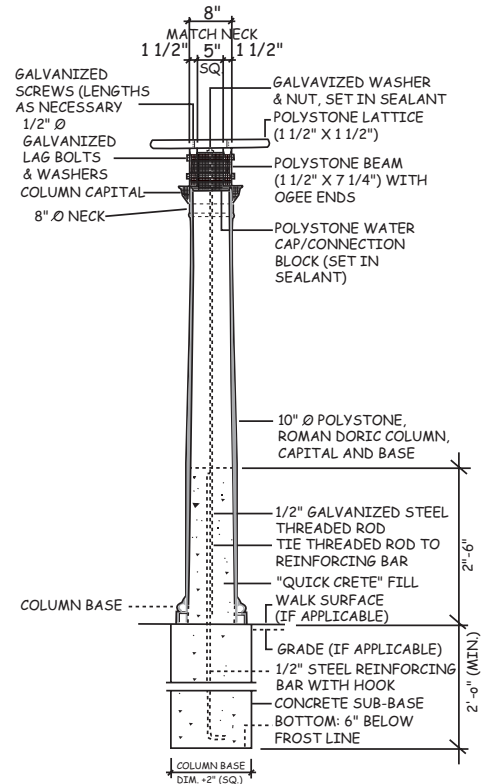
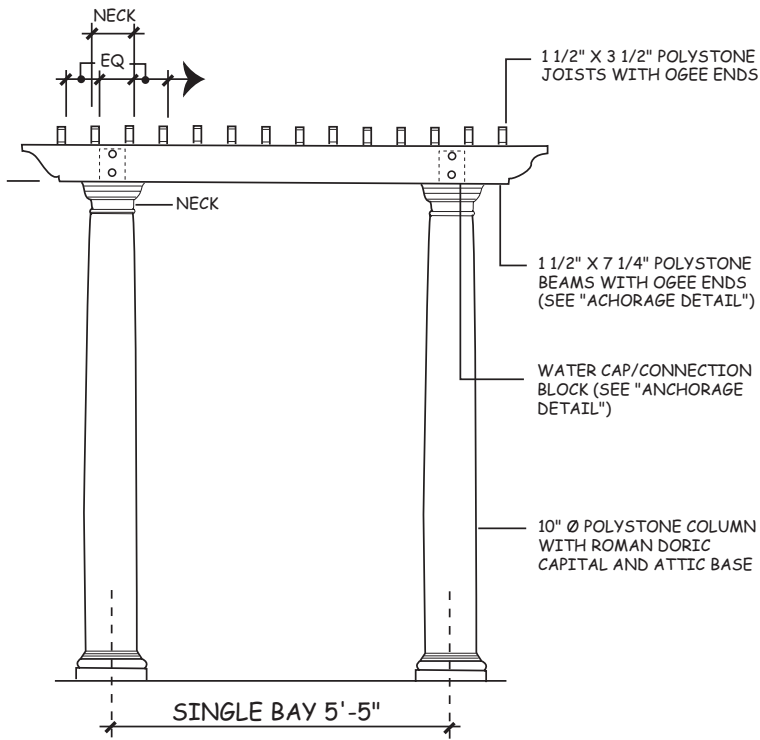
Eight-Column Pergola

The Eight-Column Pergola works well in a larger, more traditional garden. Pathways lead from the pergola to the cutting garden, the rose garden, or the promenade. The pergola is the architectural “heart” of the garden endowing it with definition and elements of style.



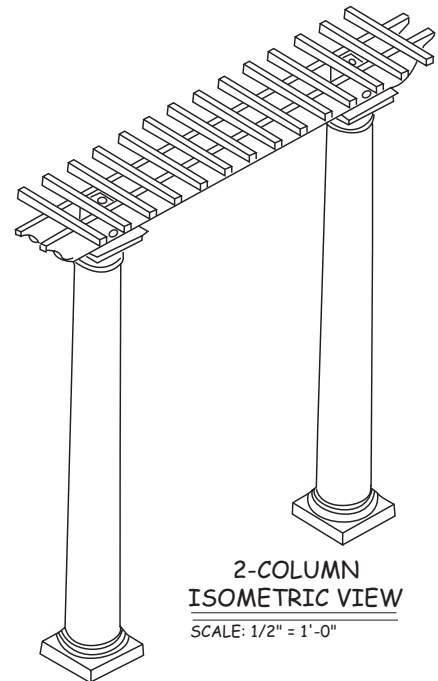
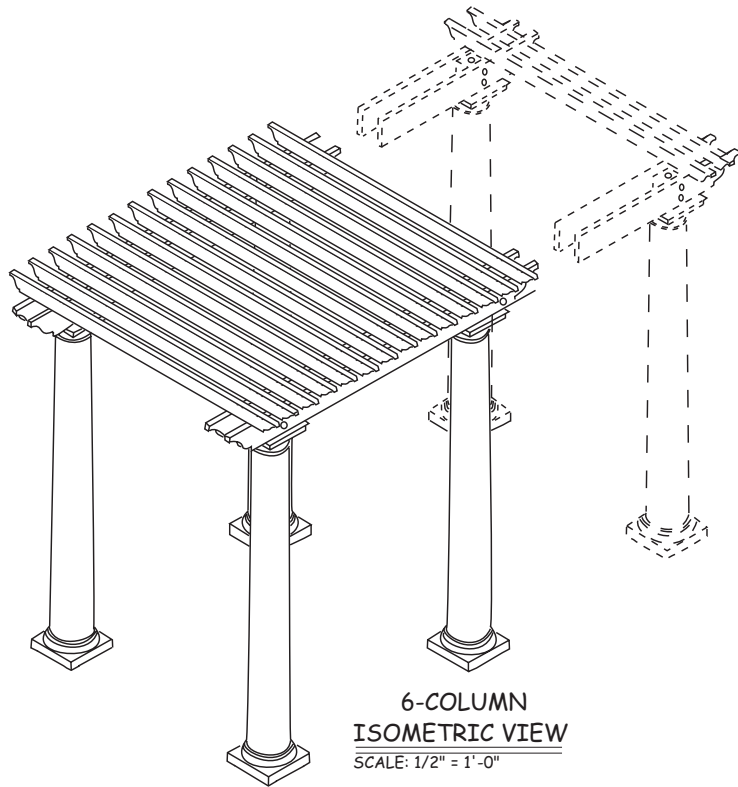
*We have enclosed our Pergola Price Chart. For additional information and specifications, please call **800.486.2118** to speak with a Sales Consultant.*

Technical Information:

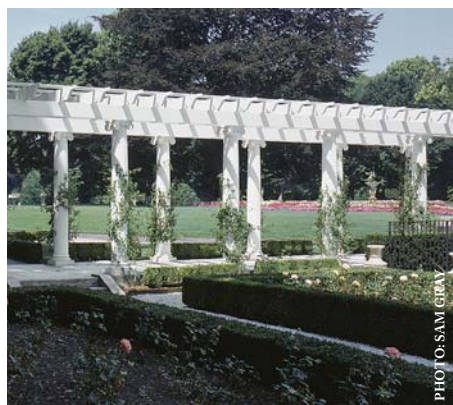


ANCHORAGE DETAIL

FOR: 2-COLUMN, SINGLE & MULTIPLE BAY PERGOLAS SCALE: 1" = 1'-0"



Custom Pergolas



Custom Designs are accepted. Please send us your sketches.

CHADSWORTH'S 1.800.COLUMNS®

www.columns.com