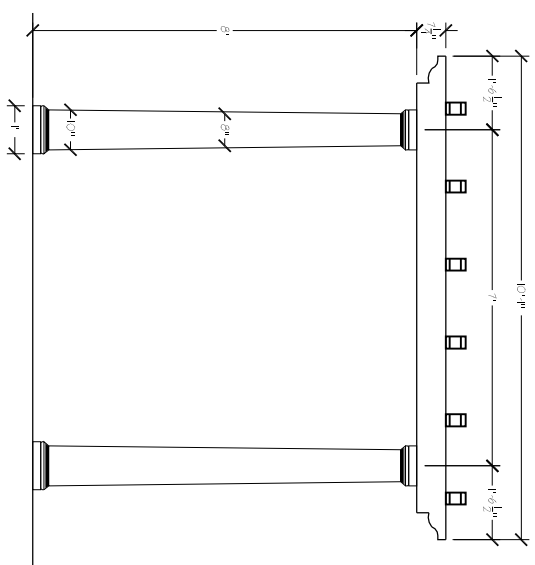
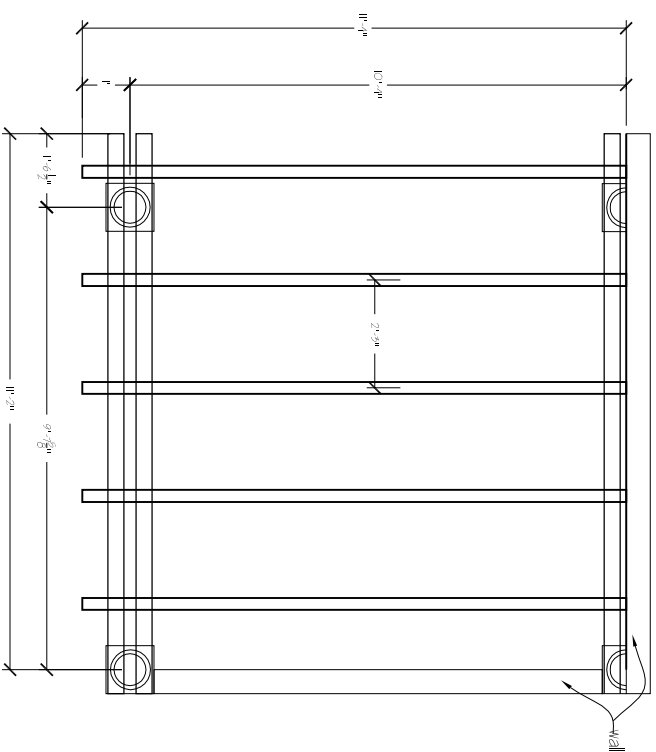
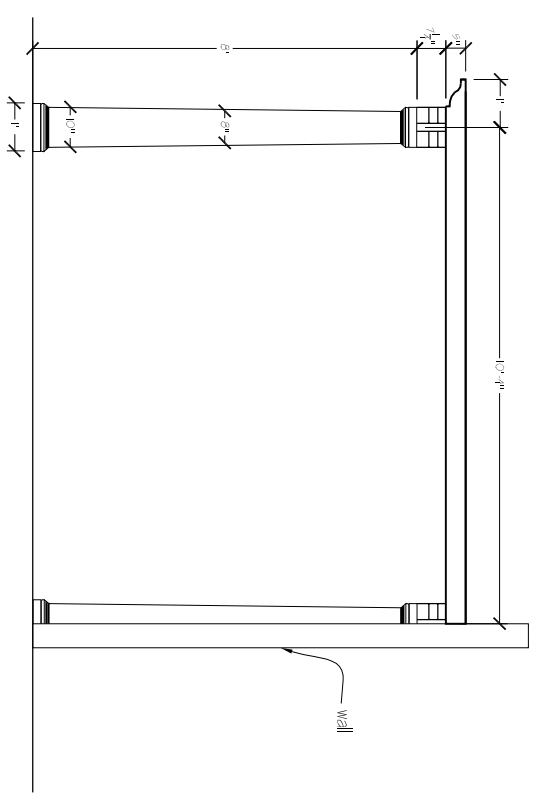


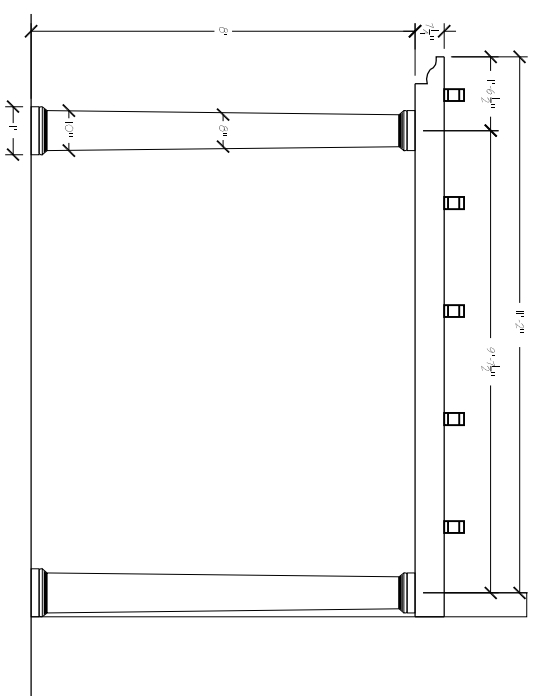
2 COLUMN ATTACHED



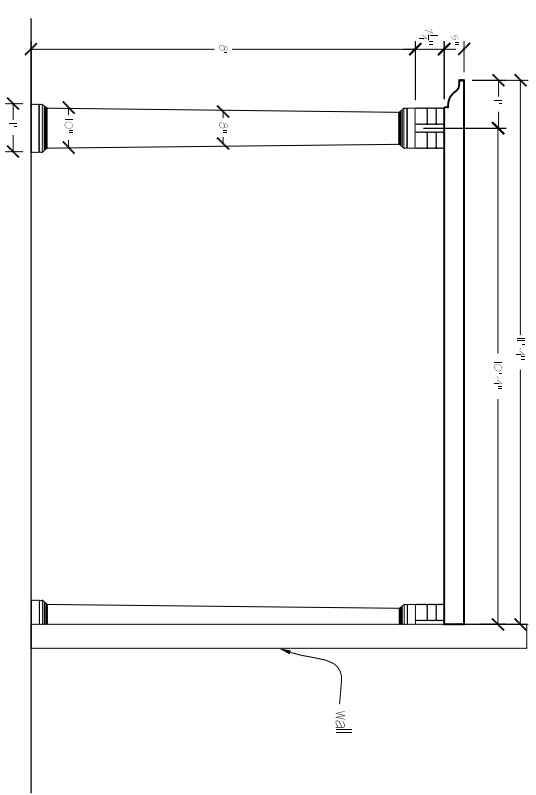
2 COLUMN ATTACHED ELEVATIONS



LEFT PERGOLA ATTACHED



LEFT ATTACHED ELEVATIONS



CHADSWORTH PERGOLAS

277 North Front Street
Historic Wilmington, NC 28401

PERGOLAS-2 COLUMN & LEFT ATTACHED

10/01/07

SCALE: 1/4" = 1'-0"