

CHADSWORTH'S 1.800.COLUMNS

GENERAL INSTALLATION INSTRUCTIONS

GENERAL INSTALLATION OF POLYSTONE COLUMNS

You will receive detailed installation instructions before your columns are delivered. Please refer to them when installing your columns. The following assembly instructions are to help you understand the installation sequence.

Basic steps for column installation are to:

1. Measure the overall height. Raise the soffit or porch slightly with brace for easy installation of the column.
2. Trim column shaft on bottom end only.
3. Drill holes in capital and place capital over the top of column shaft.
4. Drill holes in base molding and slide up bottom of column shaft.
5. Stand column in position and remove brace.
6. Attach capital to soffit and base to floor.

GENERAL INSTALLATION OF WOOD COLUMNS

You will receive detailed installation instructions before your columns are delivered. Please refer to them when installing your columns. The following assembly instructions are to help you understand the installation sequence and the importance of adequate ventilation.

Basic steps for column installation are to:

1. Immediately apply two coats of oil-based paint on paint-grade columns. On our Colonial and Classic columns, first fill any nicks, dents, etc. if necessary, sand, apply two coats of oil-based primer, then follow with two coats of oil-based paint.

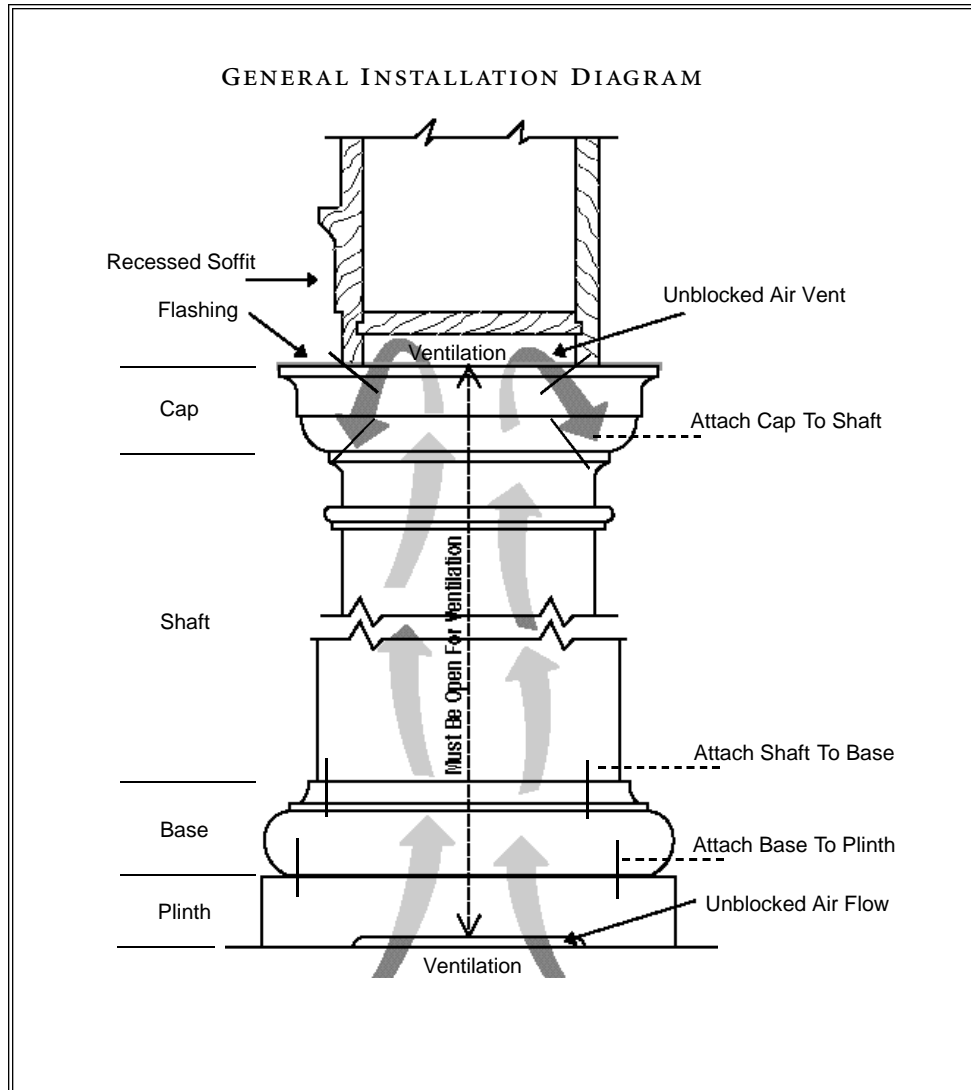
If Neoclassical column was not primed at the factory, immediately apply two coats of oil-based primer, then follow with two coats of oil-based paint. Do not prime or paint stain-grade columns.

2. Set plinth in position making sure that it is level.
3. Attach base to plinth.
4. Set base assembly in place.
5. Nail shaft to base.
6. Attach cap to shaft. For exterior columns, apply flashing at this point.

1.800.486.2118 WWW.COLUMNS.COM

CHADSWORTH'S 1.800.COLUMNNS

GENERAL INSTALLATION INSTRUCTIONS



1.800.486.2118 WWW.COLUMNNS.COM